

ADDENDUM

MODEL APT

LOGIC CONTROL (VER. 2.0)

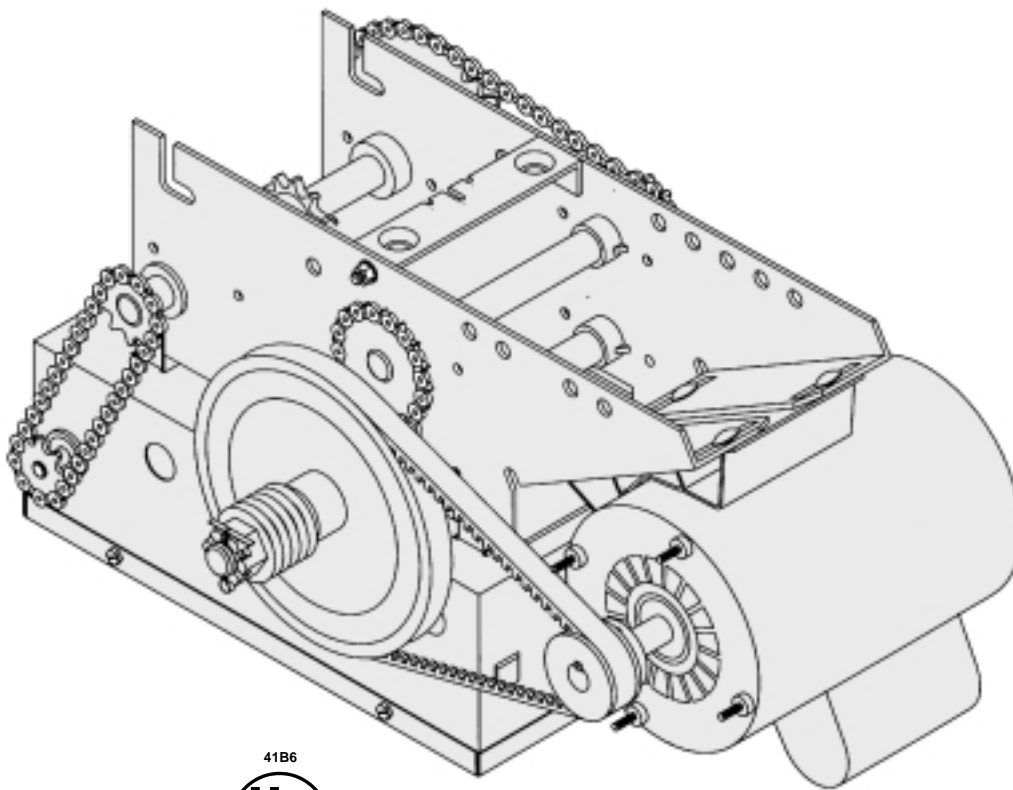
INDUSTRIAL DUTY DOOR OPERATOR



FACTORY SET

C2 Wiring

See pages 13 & 14
for other wiring
configurations



**Maintenance
Alert System**
PATENT PENDING

The Maintenance Alert System™ allows the installer to set an internal Maintenance Cycle Counter. An LED on the 3-button station will signal when the set number of cycles is reached or when the opener requires immediate service.



This addendum is to be used in conjunction with T manual 01-17278. Refer to manual 01-17278 for all mounting and wiring instructions. APT specifications and component identification are included with this addendum. For specifications, service, or replacement part requirements, use this addendum in lieu of those include with the manual.

MODEL APT - REPLACEMENT PARTS LIST

INDIVIDUAL COMPONENTS			
ITEM	PART #	DESCRIPTION	QTY
1	10-10030	Frame Spacer Bracket	1
2	K20-1050B2RL	Motor Kit (BAPT5011L2 & BAPT5021L2)	1
	K20-3050B4RL	Motor Kit (BAPT5023L2 & BAPT5043L2)	1
3	K-BAPT5011	Electrical Box Kit (Model BAPT5011L2)	1
	K-BAPT5021	Electrical Box Kit (Model BAPT5021L2)	1
	K-BAPT5023	Electrical Box Kit (Model BAPT5023L2)	1
	K-BAPT5043	Electrical Box Kit (Model BAPT5043L2)	1
4	Varies	Track	1

K72-13059 OUTPUT SHAFT KIT			
ITEM	PART #	DESCRIPTION	QTY
O1	11-10124	APT Output Shaft	1
O2	12-10331	Flange Ball Bearing, 3/4" ID	2
O3	15-41B32GXX	Sprocket, 41B32 x 3/4" Bore	1
O4	15-48B10G1	Sprocket, 48B10 x 3/4" Bore PM	1
O5	15-48B10GXX	Sprocket, 48B10 x 3/4" Bore	1
O6	19-41047	Drive Chain, #41 x 47	1
O7	19-48033M	Chain, #48 Links w/Master	1
O8	80-10023	Shim Washer, Thin	1
O9	86-RP08-102	Roll Pin, 1/4" Dia x 1-1/8" Long	2
O10	86-RP08-108	Roll Pin, 1/4" Dia x 2" Long	1
O11	80-10022	Shim Washer, Thick	4
O12	87-P-075	Retainer, 3/4"	1

71-AB120 (115V BRAKE KIT) 71-AB240 (230/460V BRAKE KIT)			
ITEM	PART #	DESCRIPTION	QTY
B1	10-10187	Brake Solenoid Cover	1
B2	10-10190	Brake Release Lever	1
B3	11-10192	Spring Cup for Brake Assembly	4
B4	11-10193	Brake Stud	4
B5	18-10914	Spring, Compression x .87" Long	4
B6	19-48001	Chain, #48 x 1 Pitch	1
B7	22-120	Solenoid, 120V (115V Units)	1
	22-240	Solenoid, 240/460V (230/460V Units)	
B8	31-10186	Spacer, .20 ID x .31 Long	2
B9	75-12794	Brake Mounting Plate Assembly	1
B10	75-12795	Brake Pressure Plate Assembly	1
B11	75-12796	APT Brake Motor Pulley Assembly	1
B12	80-11598	Nut, #10-32 Coupling Hex	4
B13	80-5001	Key, 3/16 x 3/16 x 1-3/4" Long	1
B14	82-WX10-08T	Screw, #10-32 x 1/2" Serrated Flange	12
B15	86-CP04-112	Cotter Pin, 1/8" x 1-3/4" Zinc Plate	2

INDIVIDUAL ASSEMBLY SERVICE KITS		
ITEM	PART #	DESCRIPTION
H6	K75-10387	Slider Assembly
H7	K75-10388	Chain Tensioner Assembly

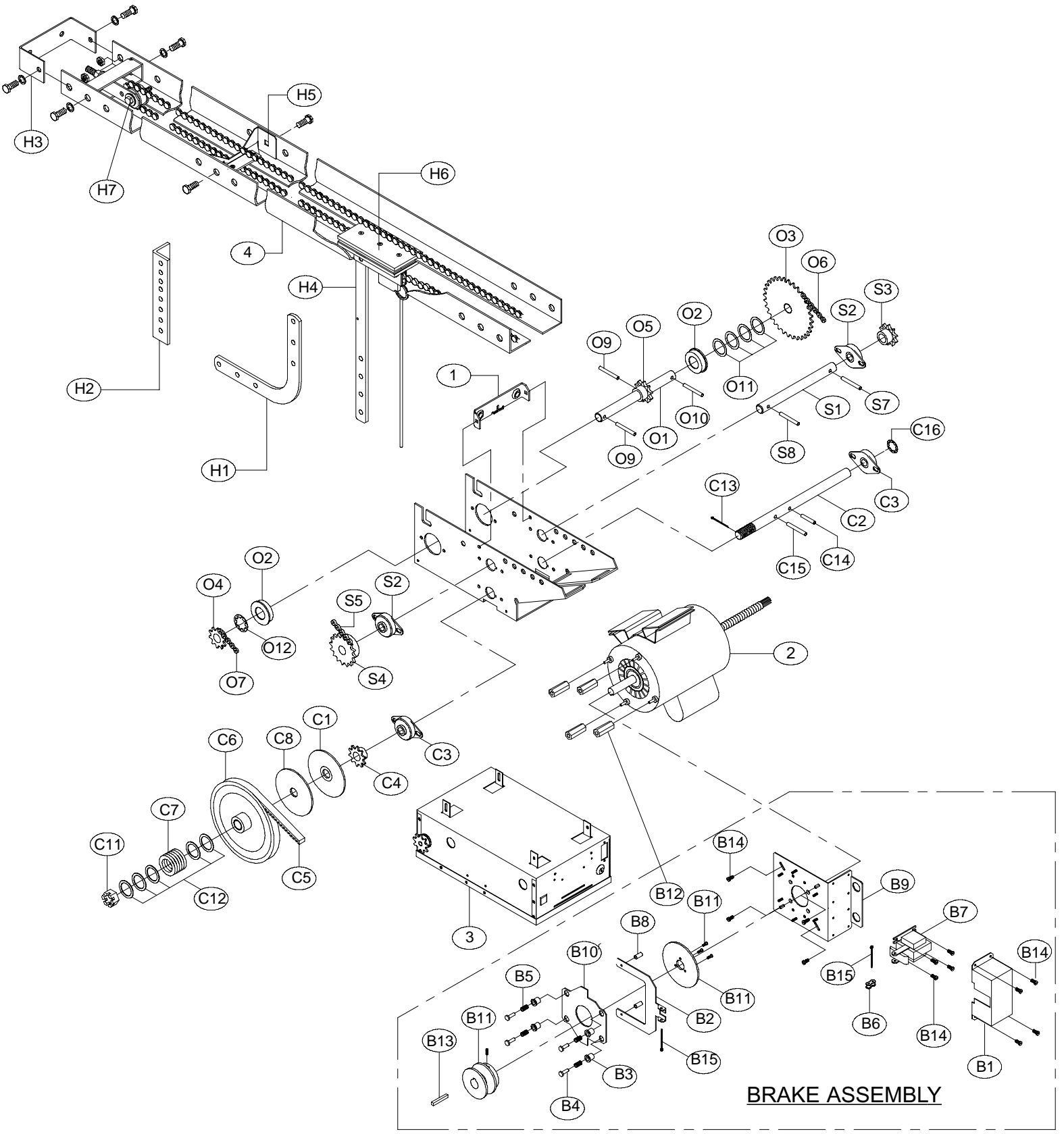
K72-13057 CLUTCH SHAFT KIT			
ITEM	PART #	DESCRIPTION	QTY
C1	10-10166	Clutch Plate	1
C2	11-10014	Clutch Shaft	1
C3	12-729	Ball Bearing, 3/4"	2
C4	15-41B10G1	Sprocket, 41B10 x 3/4" Bore PM	1
C5	16-5L300	V Belt, 5L x 30"	1
C6	17-10165	Pulley, 7" OD	1
C7	18-10164	Spring, Clutch	1
C8	39-10167	Clutch Disc	1
C11	84-SH-76	Nut, 3/4-16 Castle	1
C12	85-FW-75	Flatwasher, 3/4"	5
C13	86-CP05-108	Cotter Pin, 5/32" x 1-1/2" Long	1
C14	86-RP08-102	Roll Pin, 1/4" Dia x 1-1/8" Long	1
C15	86-RP08-200	Roll Pin, 1/4" Dia x 2" Long	1
C16	87-P-075	Push Ring, 3/4" ID	1

K77-10386 HARDWARE KIT			
ITEM	PART #	DESCRIPTION	QTY
H1	10-10203	Curved Arm	1
H2	10-10204	Door Bracket	1
H3	10-10205	Header Bracket	1
H4	10-10371	Straight Arm for APT	1
H5	75-10259	Track Spacer Assembly	2
H6	75-10387	Slider Assembly	1
H7	75-10388	Chain Tensioner Assembly	1
-	K75-10406	Drive Link Assembly	1

K75-13074 STRAIGHT AND CURVED ARM ASSY			
ITEM	PART #	DESCRIPTION	QTY
H1	10-10203	Curved Arm	1
H4	10-10371	Straight Arm for APT	1

K72-13058 INTERMEDIATE SHAFT KIT			
ITEM	PART #	DESCRIPTION	QTY
S1	11-10016	Intermediate Shaft	1
S2	12-729	Ball Bearing, 3/4"	2
S3	15-41B10G1	Sprocket, 41B10 x 3/4" Bore PM	1
S4	15-41B16GXX	Sprocket, 41B16 x 3/4" Bore	1
S5	19-41023	Intermediate Drive Chain, #41 x 23	1
S7	86-RP08-102	Roll Pin, 1/4" Dia x 1-1/8" Long	1
S8	86-RP08-200	Roll Pin, 1/4" Dia x 2" Long	1

MODEL APT - ILLUSTRATED PARTS



BRAKE ASSEMBLY

SPECIFICATIONS

MOTOR

TYPE:Continuous duty

HORSEPOWER:.....1/2 Hp

SPEED:.....1725 RPM

VOLTAGE:115/230 Volts - Single phase
230/460 Volts - Three phase

CURRENT:See motor nameplate

ELECTRICAL

TRANSFORMER:.....24VAC

CONTROL STATION:NEMA 1 three button station.
OPEN/CLOSE/STOP W/ LED

WIRING TYPE:C2 (Factory Shipped)
Momentary contact to OPEN & STOP, constant pressure to CLOSE, open override plus wiring for sensing device to reverse. See Model T Manual pages 16, 17 and 18 for optional wiring types and operating modes.

LIMIT ADJUST:.....Linear driven, fully adjustable screw type cams. Adjustable to 24 feet.

MECHANICAL

DRIVE REDUCTION:.....Primary: Heavy duty (5L) V-Belt. Secondary: #41 chain/sprocket. Output: #48 chain

OUTPUT SHAFT SPEED:.....96 R.P.M.

DOOR SPEED:.....7 - 8" per sec.
depending on door

BRAKE:(Optional)Solenoid actuated disc

BEARINGS:.....Output Shaft: Shielded Ball Bearing. Clutch & Intermediate Shaft: Shielded Ball Bearing.

SAFETY

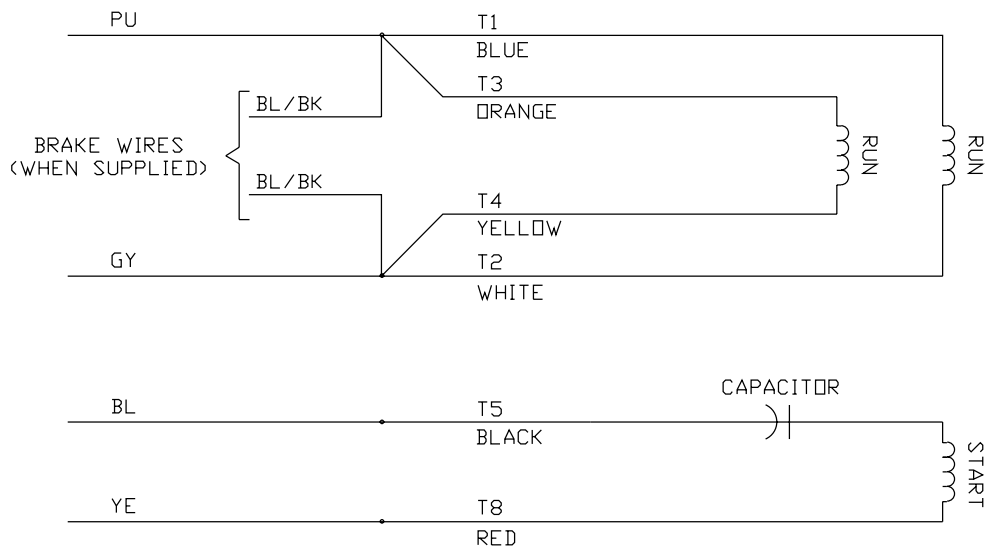
DISCONNECT:Quick disconnect door arm for emergency manual door operation.

REVERSING EDGE:(Optional) Electric or pneumatic sensing device attached to the bottom edge of door.

A REVERSING DEVICE IS STRONGLY RECOMMENDED FOR ALL COMMERCIAL OPERATOR INSTALLATIONS. REQUIRED WHEN THE 3 BUTTON CONTROL STATION IS OUT OF SIGHT OF DOOR OR ANY OTHER CONTROL (AUTOMATIC OR MANUAL) IS USED.

MOTOR WIRING DIAGRAM - 115/230 VOLT / SINGLE PHASE

See below for internal wiring of motor in lieu of the motor diagrams shown in Model T owner's manual. See Model T owner's manual for all power and control connections.



NOTE: Refer to T logic II Manual for $\Phi 3$ (3-Phase) wiring.