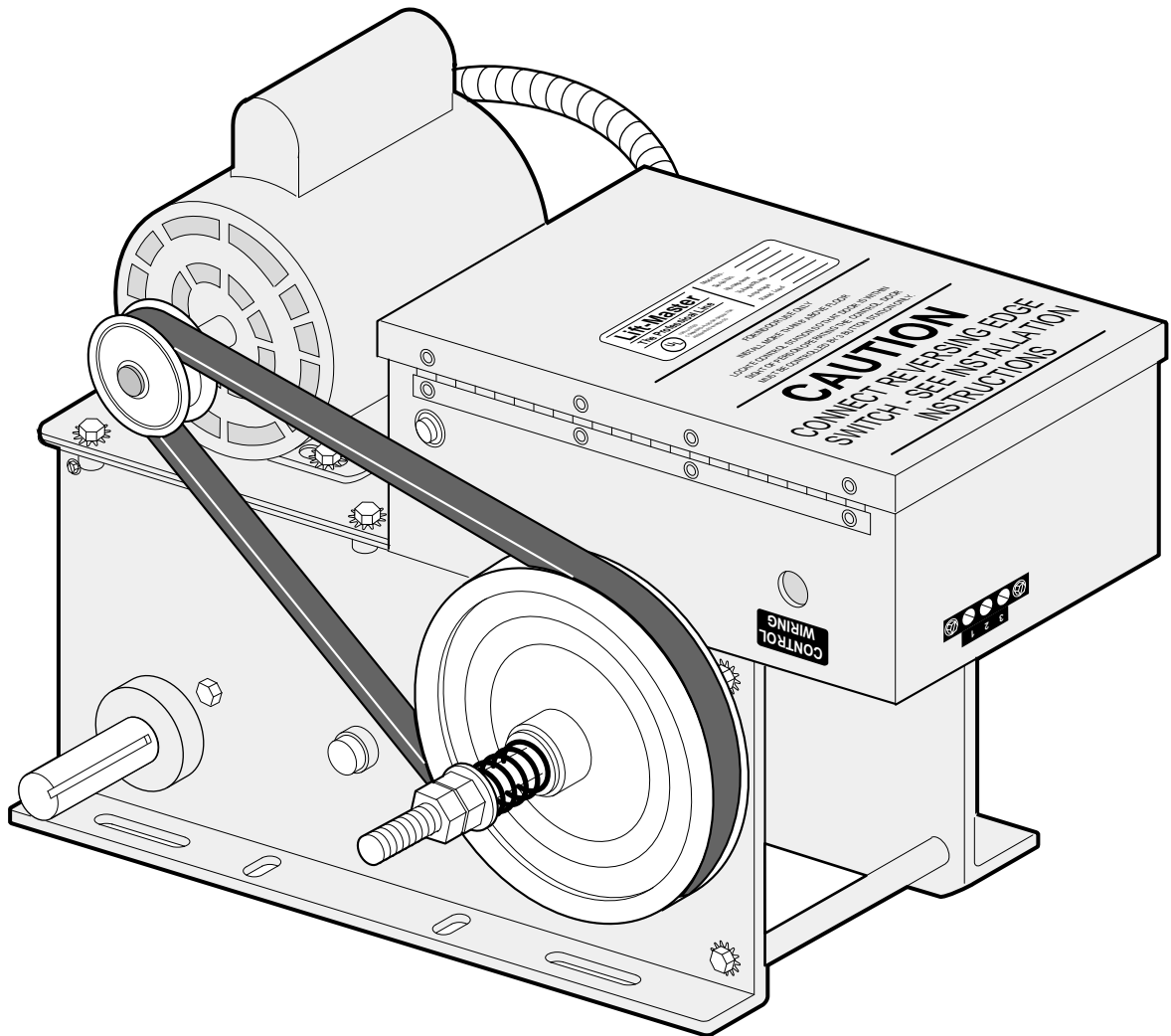


**INSTRUCTIONS**  
**SERIES 2000**  
**MODEL J/EGRESS KIT**

**HEAVY DUTY**  
**BELT DRIVEN JACKSHAFT OPERATOR**



Serial # \_\_\_\_\_  
(located on electrical box cover)

Installation Date \_\_\_\_\_

Wiring Type \_\_\_\_\_

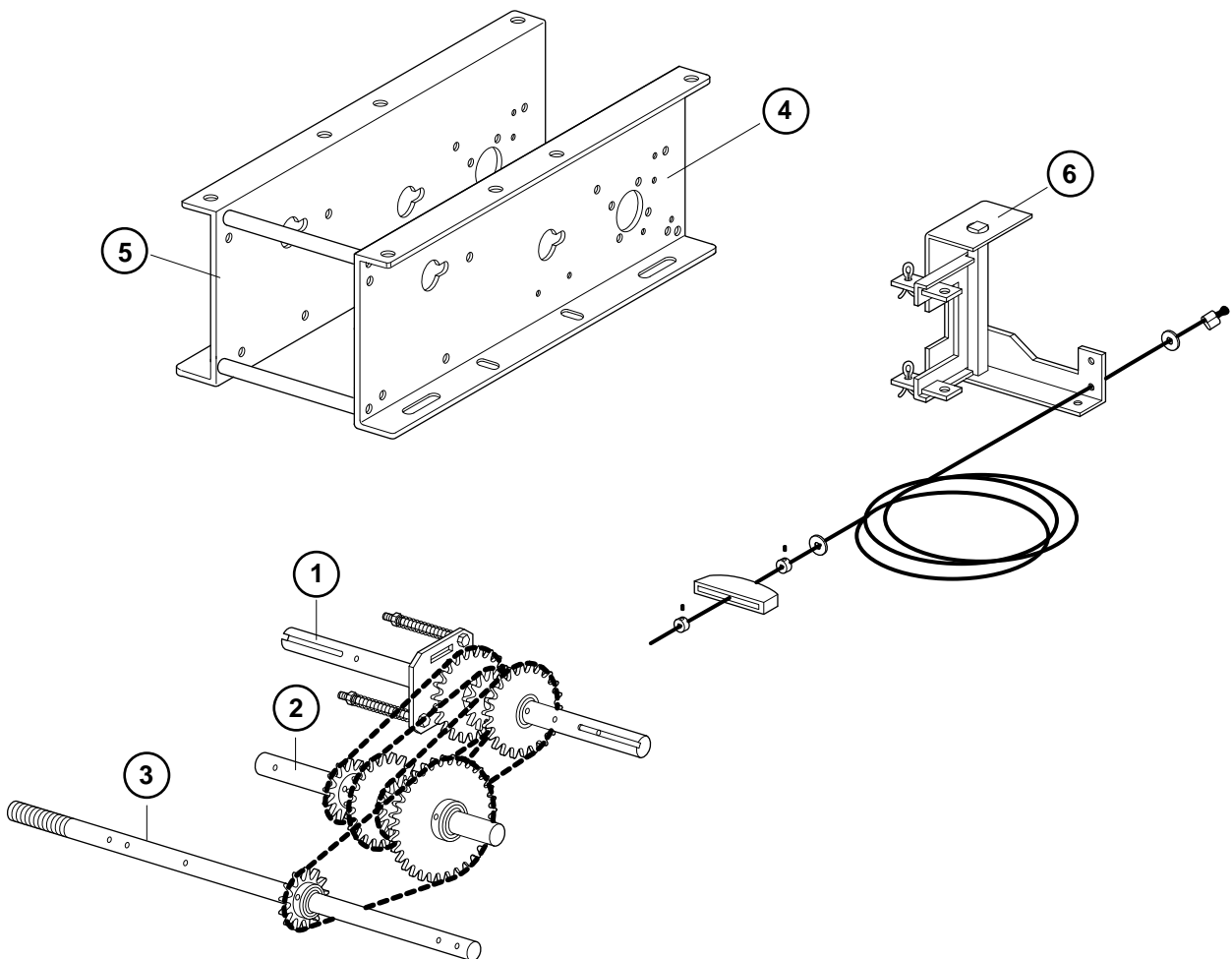


**COMMERCIAL DOOR OPERATOR**  
**LISTED**  
**NOT FOR RESIDENTIAL USE**

# REPAIR PARTS - MODEL J

These parts are unique to Model J.  
See HJ Repair Parts List for common parts.

ITEM NO.	PARTS NO.	QTY.	DESCRIPTION
1	1C4636	1	Output Shaft Assembly
2	1C4635	1	Intermediate Shaft Assembly
3	1C4634	1	Pulley Shaft Assembly
4	59D48-8	1	Frame - Right
5	59D48-9	1	Frame - Left
6	1C4641	1	Disconnect Arm Assembly



# EMERGENCY EGRESS FEATURE (1A4651 OPTIONAL EMERGENCY EGRESS KIT)



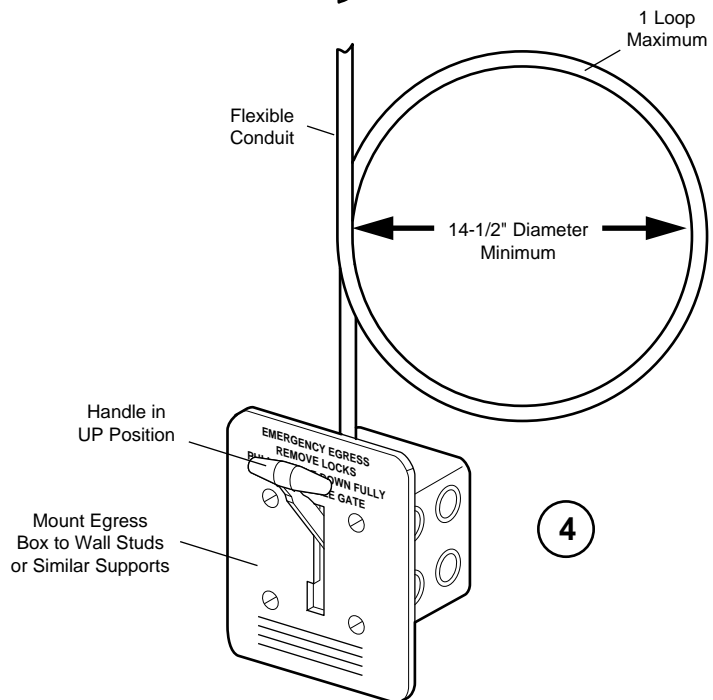
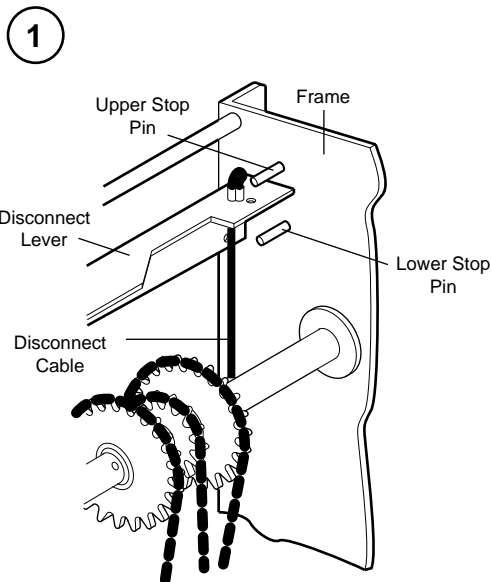
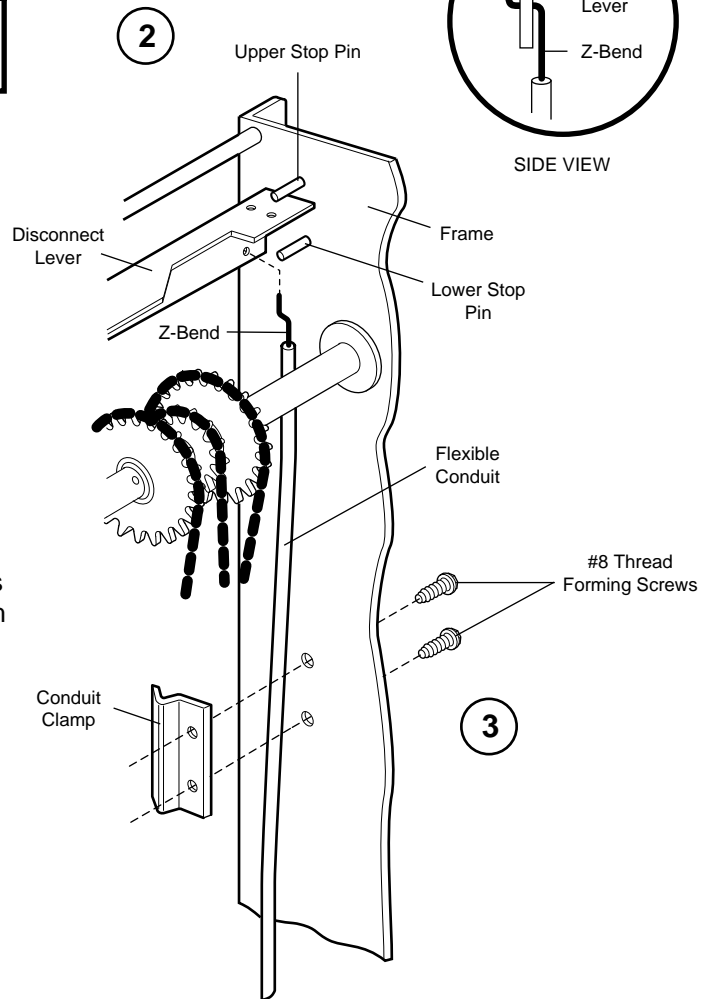
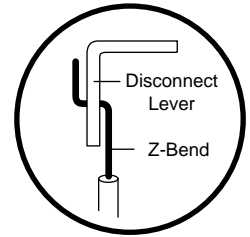
## WARNING

**Disconnect all electric power before proceeding with installation.**

1. Remove disconnect cable from disconnect lever.
2. Attach wire end of flexible conduit cable to disconnect lever. Insert Z-bend through hole.
3. Fasten flexible conduit to frame with conduit clamp and two #8 thread forming screws, tighten securely.

**CAUTION:** For proper operation make sure that disconnect lever is against upper stop pin and handle on emergency egress unit is in the UP position before securing conduit clamp.

4. Mount egress unit box to wall stud or similar support. Flexible cable must be kept as straight as possible. If necessary, one (1) coil with a minimum diameter of 14-1/2 inches may be used to shorten the length of the cable. Check disconnect function several times before reconnecting electric power.
5. Reconnect electric power.



# REPAIR PARTS - EGRESS KIT 1A4651

ITEM NO.	PARTS NO.	QTY.	DESCRIPTION
1	2C420	1	Emergency Egress Control
2	28B101	1	Flexible Conduit Clamp
3	171A384	2	#8-32 x 3/8" Thread Forming Screw

